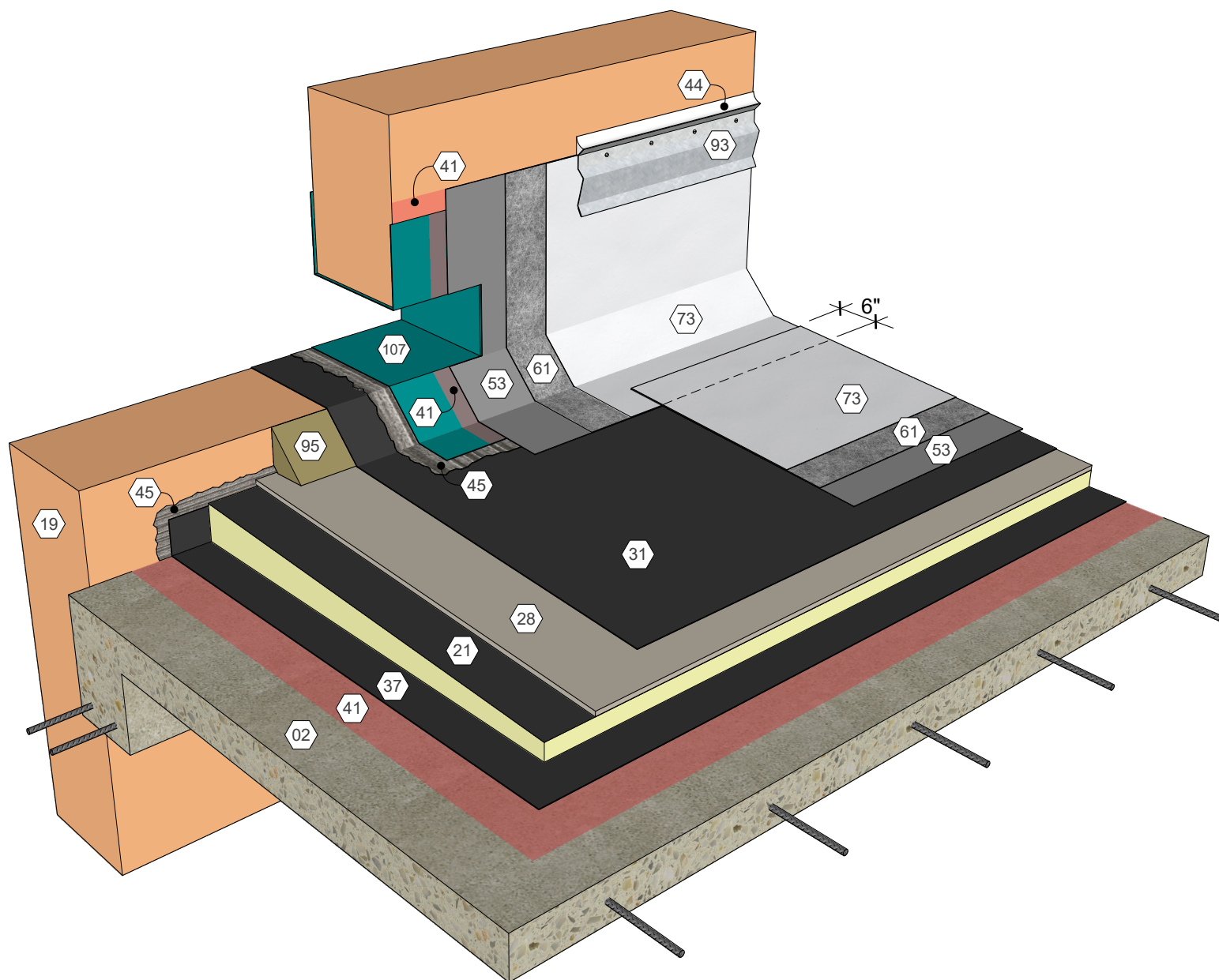


KEY NOTES

- ① Metal Deck
- ⑨ Roof Structure
- ⑱ Wall Assembly
- ⑳ Polyisocyanurate Insulation (Fastened or Adhered)
- ㉓ Substrate Board (Fastened)
- ㉔ Cover Board (Adhered)
- ㉖ Approved Base Ply Sheet
- ㉗ Approved Base Sheet (Adhered)
- ㉙ Approved Primer
- ㉚ Approved Sealant, Optional
- ㉛ Roofing Mastic
- ㉜ AlphaGuard PUMA Base Coat
- ㉝ AlphaGuard Glass Mat or Permafab
- ㉞ AlphaGuard PUMA Top Coat
- ㉟ Counterflashing, Optional
- ㊱ Cant Strip
- ㊲ Sheet Metal Scupper

AlphaGuard® PUMA Plus Overflow Scupper, Temp. Roof, Metal Deck
Detail 34241

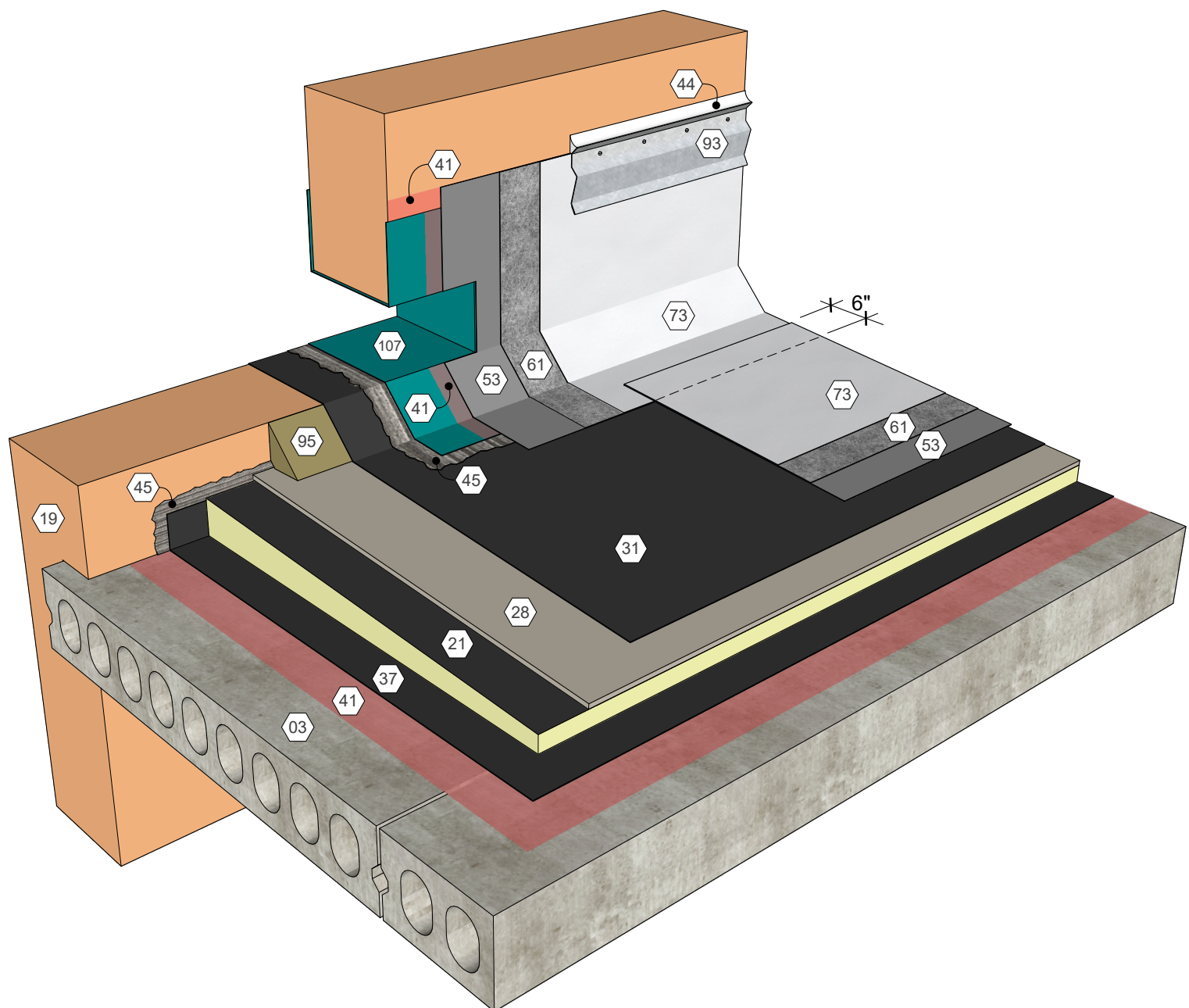


KEY NOTES

- 02 Structural Concrete Deck
- 09 Roof Structure
- 19 Wall Assembly
- 21 Polyisocyanurate Insulation (Adhered)
- 28 Cover Board (Adhered)
- 31 Approved Base Ply Sheet
- 37 Approved Base Sheet (Adhered)
- 41 Approved Primer
- 44 Approved Sealant, Optional
- 45 Roofing Mastic
- 53 AlphaGuard PUMA Base Coat
- 61 AlphaGuard Glass Mat or Permafab
- 73 AlphaGuard PUMA Top Coat
- 93 Counterflashing, Optional
- 95 Cant Strip
- 107 Sheet Metal Scupper

AlphaGuard® PUMA Plus Overflow Scupper, Temp. Roof, Structural Concrete Deck
 Detail 34242



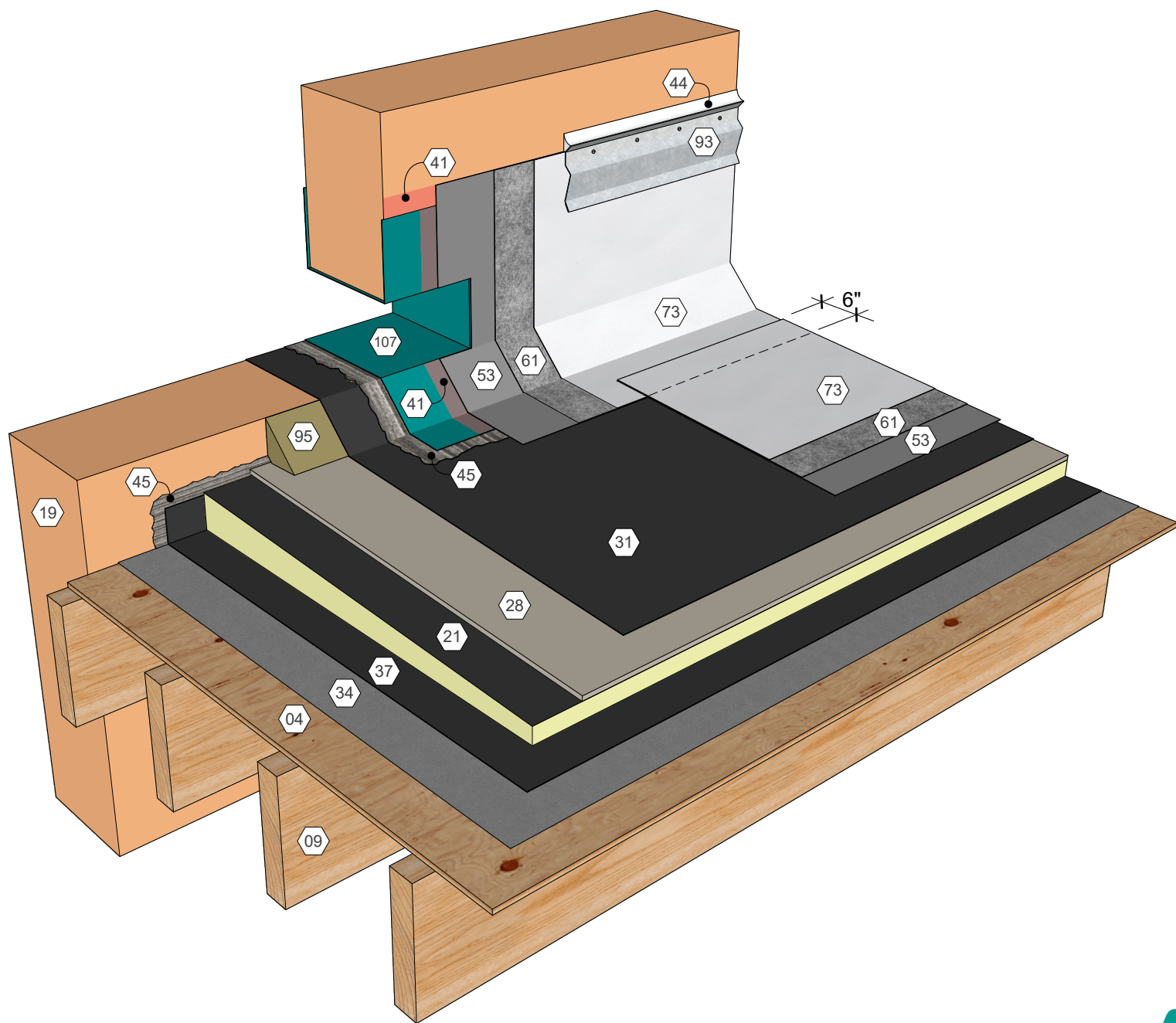


KEY NOTES

- 03 Precast Concrete Deck
- 19 Wall Assembly
- 21 Polyisocyanurate Insulation (Adhered)
- 28 Cover Board (Adhered)
- 31 Approved Base Ply Sheet
- 37 Approved Base Sheet (Adhered)
- 41 Approved Primer
- 44 Approved Sealant, Optional
- 45 Roofing Mastic
- 53 AlphaGuard PUMA Base Coat
- 61 AlphaGuard Glass Mat or Permafab
- 73 AlphaGuard PUMA Top Coat
- 93 Counterflashing, Optional
- 95 Cant Strip
- 107 Sheet Metal Scupper

AlphaGuard® PUMA Plus Overflow Scupper, Temp. Roof, Precast Concrete Deck
 Detail 34243



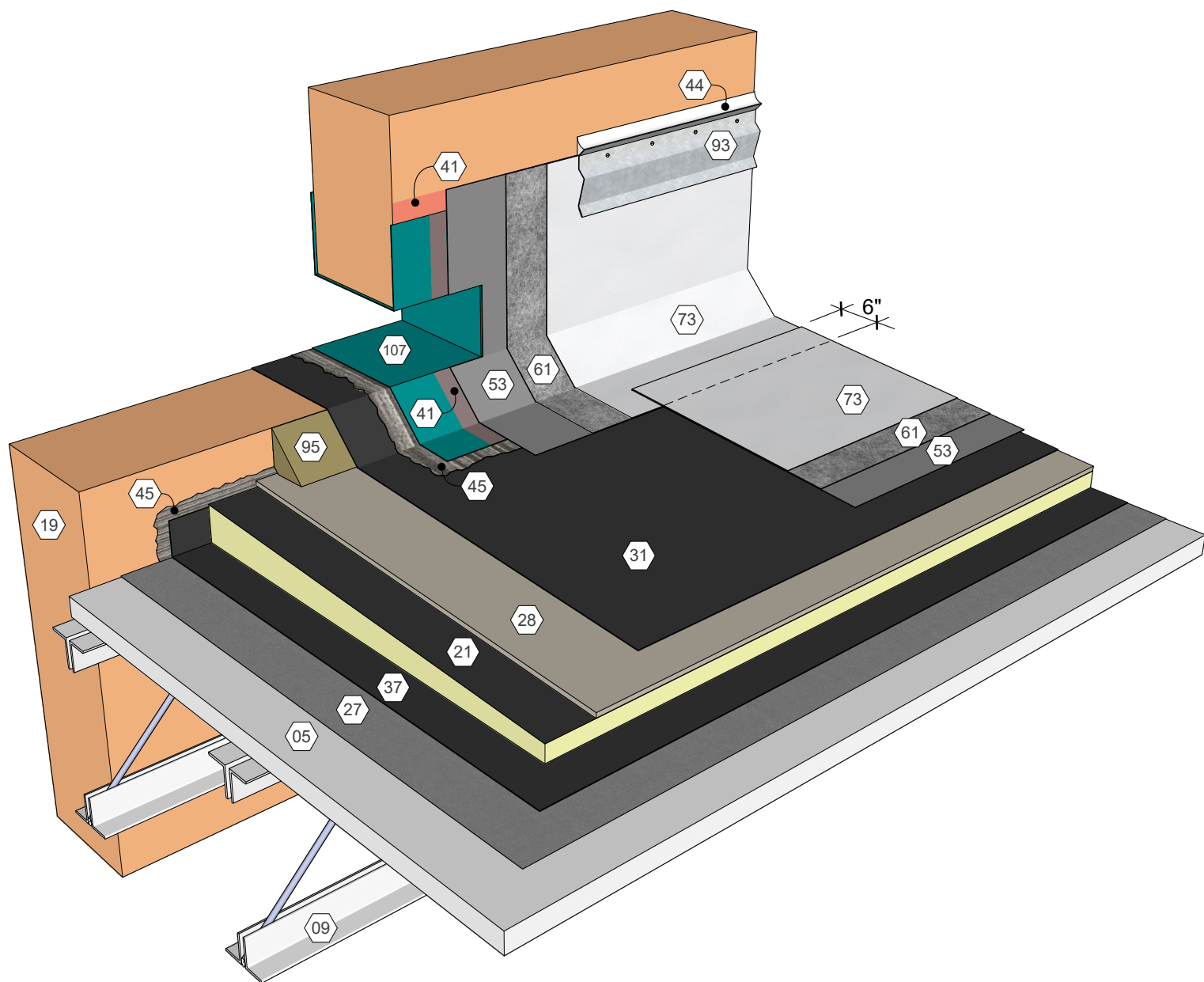


KEY NOTES

- 04 Wood Deck
- 09 Roof Structure
- 19 Wall Assembly
- 21 Polyisocyanurate Insulation (Adhered)
- 28 Cover Board (Adhered)
- 31 Approved Base Ply Sheet
- 34 Base Sheet (Fastened)
- 37 Approved Base Sheet (Adhered)
- 41 Approved Primer
- 44 Approved Sealant, Optional
- 45 Roofing Mastic
- 53 AlphaGuard PUMA Base Coat
- 61 AlphaGuard Glass Mat or Permafab
- 73 AlphaGuard PUMA Top Coat
- 93 Counterflashing, Optional
- 95 Cant Strip
- 107 Sheet Metal Scupper

AlphaGuard® PUMA Plus Overflow Scupper, Temp.Roof, Wood Deck
 Detail 34244





KEY NOTES

- 05 Gypsum Deck
- 09 Roof Structure
- 19 Wall Assembly
- 21 Polyisocyanurate Insulation (Adhered)
- 28 Cover Board (Adhered)
- 31 Approved Base Ply Sheet
- 34 Base Sheet (Fastened)
- 37 Approved Base Sheet (Adhered)
- 41 Approved Primer
- 44 Approved Sealant, Optional
- 45 Roofing Mastic
- 53 AlphaGuard PUMA Base Coat
- 61 AlphaGuard Glass Mat or Permafab
- 73 AlphaGuard PUMA Top Coat
- 93 Counterflashing, Optional
- 95 Cant Strip
- 107 Sheet Metal Scupper

AlphaGuard® PUMA Plus Overflow Scupper, Temp. Roof, Gypsum Deck
 Detail 34245

